



PRODUCTS CATALOG

ELECTRICAL ENCLOSURES & MODULAR CABINETS



20

OIL & DUST TIGHT LIFT-OFF COVER ENCLOSURE (BOLT-ON FEET)

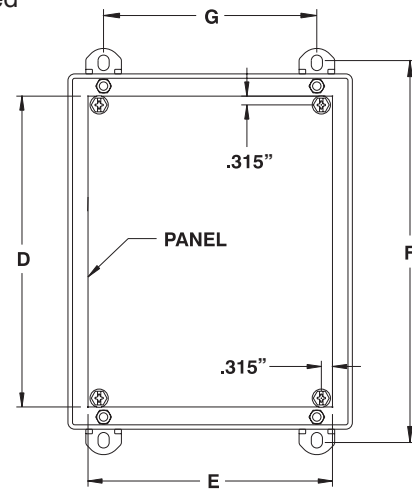
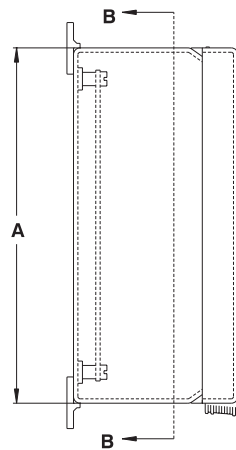
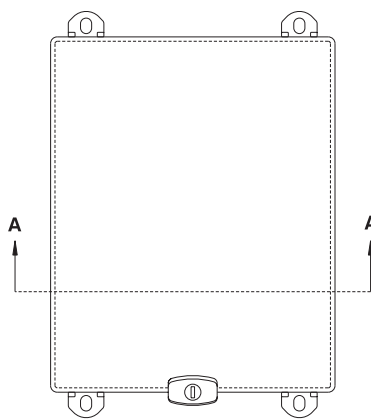
The 5412 ESLC lift off cover, water oil and dust tight enclosures are used indoors or outdoors, in areas where the enclosures may be subjected to hosing, or to water coming from any direction. The box and cover are made of high quality 16 GA steel with all seams continuously welded. A high quality, robotically poured-in-place, seamless gasket ensures a complete and durable water tight seal. The opening has a curled lip around all sides to

increase rigidity and prevent dripping water from entering when the door is open. A flangemounted ¼ turn lock ensures positive closing, while leaving a fully workable mounting surface on the door. The enclosure can be internally or externally mounted using the included wall mountingfeet. These feet have oblong holes to facilitate installation. **Each enclosure comes complete with a 14 GA galvanized steel inner panel**, which mounts on welded

nuts. Enclosures are finished with heat fused powder paint, electrostatically applied on a pretreated base. Box is ANSI/ASA 61 smooth gray, inner panel is galvanized.

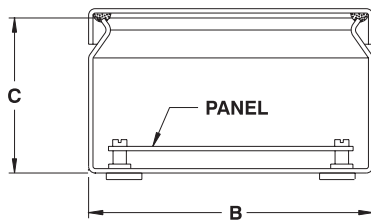
**CSA Certified / UL Listed
NEMA/EEMAC 4-12 / IP66**

Refer to p.734 to validate choice of substrate for the application



SECTION B-B

NOTE : 1 LOCK IF B=10" OR LESS
2 LOCKS IF B=12" OR MORE



SECTION A-A

CUSTOMIZE THIS
ENCLOSURE WITH **BOXCAD**
SIZE - COLOR - CUT-OUTS



CATALOG NUMBER	DIMENSIONS							SHIP WGT LBS.
	A	B	C	D	E	F	G	
5412 ESLC040403	4	4	3	No.Pan.	No.Pan.	4.75	2	2
5412 ESLC060403	6	4	3	4.88	2.88	6.75	2	3
5412 ESLC060404	6	4	4	4.88	2.88	6.75	2	4
5412 ESLC060604	6	6	4	4.88	4.88	6.75	4	5
5412 ESLC080604	8	6	4	6.88	4.88	8.75	4	6
5412 ESLC100804	10	8	4	8.88	6.88	10.75	6	10
5412 ESLC121005	12	10	5	10.88	8.88	12.75	8	13
5412 ESLC141206	14	12	6	12.88	10.88	14.75	10	19
5412 ESLC161406	16	14	6	14.88	12.88	16.75	12	23
5412 ESLC141208	14	12	8	12.88	10.88	14.75	10	20
5412 ESLC161410	16	14	10	14.88	12.88	16.75	12	25

